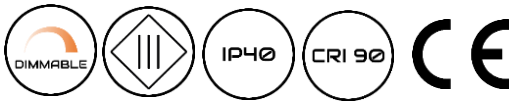


**COMP 6 Adjustable**

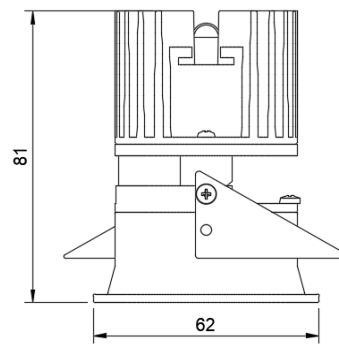


**Professional architectural Downlight** recessed ceiling-mounted Adjustable, full LED engine, made of aluminium adapted for Indoor applications, compact design offering ultimate LED technology, available frame white and black finish powder coating. Included with cable Male & Female, cable length 100mm for easy connection to the driver.

LED Power mono-colour, available optics 20° - 40° & 60° degrees, high performance with CRI>90, SDCM 3 (One Bin Only), lumen and available CCT as reported below.

Protection IP40

**Image & Drawing**



**Products Codes CRI90**

White Finish			Black Finish		
LED 2700K	LED 3000K	LED 4000K	LED 2700K	LED 3000K	LED 4000K
COMP6A.WH.27.S	COMP6A.WH.30.S	COMP6A.WH.40.S	COMP6A.BK.27.S	COMP6A.BK.30.S	COMP6A.BK.40.S
COMP6A.WH.27.M	COMP6A.WH.30.M	COMP6A.WH.40.M	COMP6A.BK.27.M	COMP6A.BK.30.M	COMP6A.BK.40.M
COMP6A.WH.27.F	COMP6A.WH.30.F	COMP6A.WH.40.F	COMP6A.BK.27.F	COMP6A.BK.30.F	COMP6A.BK.40.F

## COMP 6 Adjustable

### Technical Data

Application	Recessed
Finish	Powder painting
Dimension mm	D62mm * H81
Cut - Hole	55 mm
Fitting Life	80.000h L80 B20 (Ta ,25°C) · Reported TM-21 L70 Lifetime: >80000 hours

### Lumen Data

CCT	CRI	SDCM	Flux Lumen	Delivered Lumen
2700K	90	3	<b>658</b>	<b>599</b>
3000K	90	3	<b>687</b>	<b>625</b>
4000K	90	3	<b>735</b>	<b>669</b>

### Specification Product

Light distribution	20° - 40° - 60°
CRI	≥90
SDCM	SDCM 3
Wattage	6 Watt
Voltage	12 Volt
Weight	
Springs	Included

### Light distribution

Beam Angle	Codes
20°	S
40°	M
60°	F

### Accessories

### Drivers

Driver type	On/off	Dali-2
Code	D059	D031
	Max 1	Max 1