

ACQUA Linear RGBW

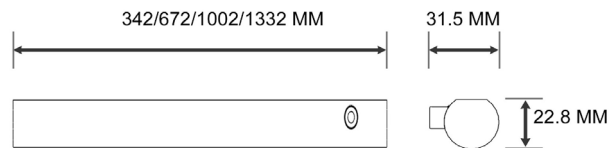
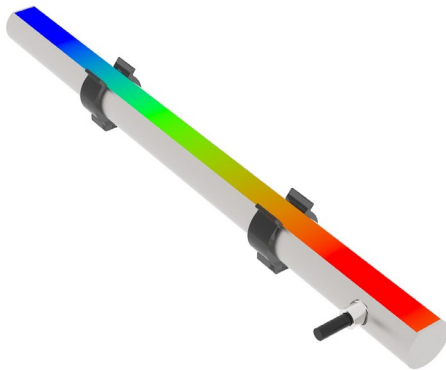


Professional architectural linear Surface recessed, full LED engine, made of AISI 316L adapted for Pool and landscape applications, compact design offering ultimate LED technology with converter **24Volt** Built-In, available fully made of AISI 316L. Included with cable length 5 meters.

LED 15Watt/meter, Power LED RGBW, available optics Diffused.

Protection IP68 IK10

Image & Drawing



Product Final Code

| CCT | 326mm | 672mm | 1002mm | 1332mm |
|------|-----------------|-----------------|-----------------|-----------------|
| RGBW | H2OL1.AISI.RGBW | H2OL2.AISI.RGBW | H2OL3.AISI.RGBW | H2OL4.AISI.RGBW |

Light Distribution

| Beam Angle | Codes |
|------------|-------|
| 150° | D |

ACQUA Linear RGBW

Technical Data

| | |
|--------------|--|
| Application | Recessed |
| Finish | AISI 316L |
| Dimension mm | 23mm * 326mm / 672mm / 1002mm / 1332mm |
| Fitting Life | 53.000h L80 B20 (Ta ,25°C) - Reported TM-21 L70 Lifetime: >54000 hours |

Specification Product

| | |
|--------------------|---------------|
| Light distribution | Diffused |
| CRI | |
| LED | RGBW |
| Wattage | 15 Watt/meter |
| Voltage | 24V DC |
| Weight | |

Accessories

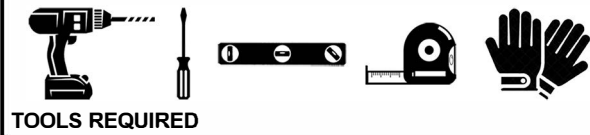
2X Included



Drivers

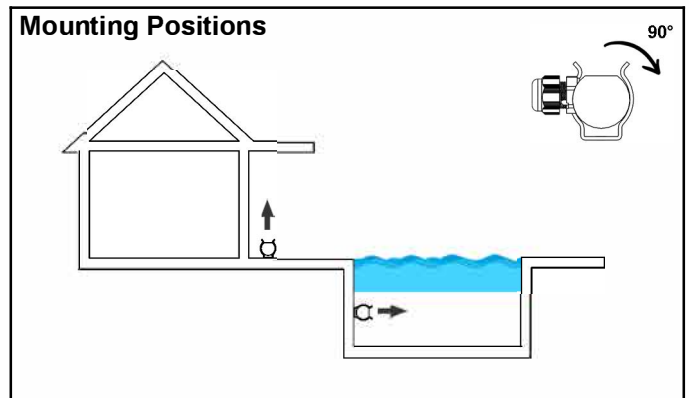
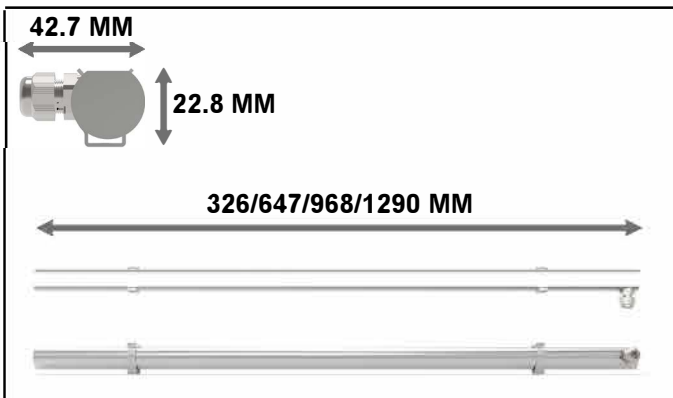
| Driver type | On/Off | On/Off | DMX |
|-------------|------------------------------|-------------------------------|----------------------------|
| Code | D021 | D023 | DMX002 |
| | 60watt On/Off 24V DC IP20 | 100watt On/Off 24V DC IP20 | 240Watt DMX 24V DC IP20 |

TOOLS / ACCESSORIES REQUIRED

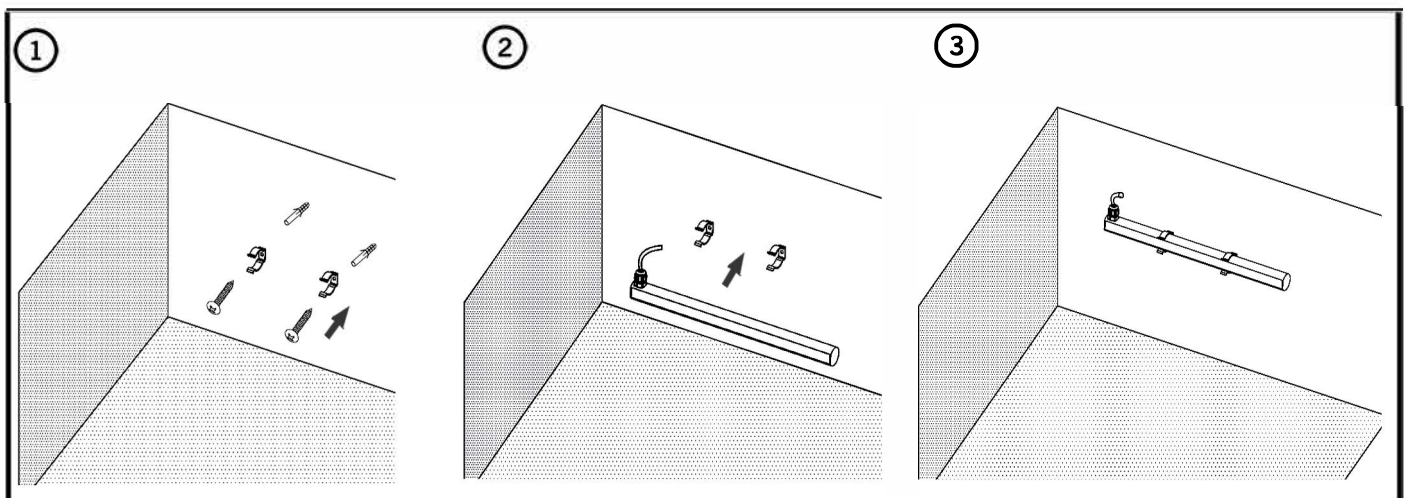


⚠ Before starting, switch OFF power line / power supply (OFF) | Installation should be done only by trained technical team

ACQUA LINEAR



Make sure that the brackets are in line and at the correct distance. Fix it to the wall with appropriate fisher and screw. Insert the profile into the bracket by aligning it parallel to the brackets and pushing it in until it audibly clicks into place. Arrange the profile according to the specifications. Double-check the connections and ensure they are securely and correctly attached.



SINGLE LINEAR CONNECTION

