

Perfil Plus 20 RGBW



Professional architectural linear light system surface mounted, made of extruded aluminium adapt for outdoor & Indoor applications, encapsulation polyurethane offering ultimate waterproof, UV resistance, available in 5 different lengths, anodized aluminium finish. Included with cable M12 Male & Female, cable length 150mm for easy connection loop.

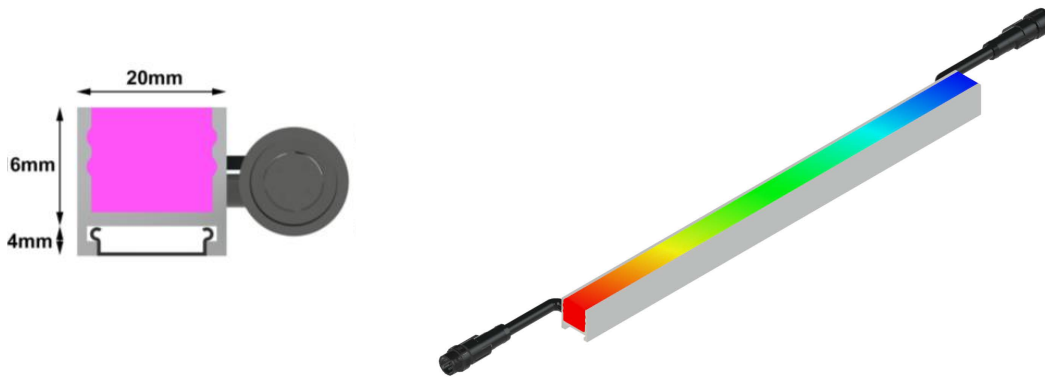
LED RGB+W with 2 options available of white 3000K & 5200K, diffused light effect, with LEDS rigid circuit, white LED with high-performance CRI>90, 24Volt Constant Voltage, 20Watt/Meter, lumen as reported below.

Impact IK10 and protection IP67

Operating ambient temperature from -25°C to 50°C.

Produced in Italy.

Image & Drawing



Product Final Code

CCT	1 ft / 305mm	2 ft / 610mm	3 ft / 915mm	4 ft / 1220mm	5 ft / 1525mm
RGB + W 3000	L-PE.3.5W.RGBW30K	L-PE.7W.90.RGBW30K	L-PE.10.5W.90.RGBW30K	L-PE.14W.90.RGBW30K	L-PE.17.5W.90.RGBW30K
RGB + W 5200	L-PE.3.5W.RGBW52K	L-PE.7W.90.RGBW52K	L-PE.10.5W.90.RGBW52K	L-PE.14W.90.RGBW52K	L-PE.17.5W.90.RGBW52K

Perfil Plus 20 RGBW

Lumen Output LED

Length	Wattage	Red	Green	Blue	White 3200	White 3200	Total RGB + W 3000	Total RGB + W 5200
1 ft / 305mm	3.5	84	147	71	168	252	470	554
2 ft / 610mm	7	168	294	143	336	504	941	1109
3 ft / 915mm	10.5	252	441	214	504	756	1411	1663
4 ft / 1220mm	14	336	588	286	672	1008	1882	2218
5 ft / 1525mm	17.5	420	735	357	840	1260	2352	2772

Technical Data

Application	Surface Mounted
Finish	Aluminum Anodized 25µm
Dimension mm	20 x 20 x 305 - 610 - 915 - 1220 - 1525 & Custom
Fitting Life	53.000h L80 B20 (Ta ,25°C) - Reported TM-21 L70 Lifetime: >54000 hours
Operating Temp.	-20° C - +50° C

Specification Product

Light distribution	Diffused
CRI	>90
SDCM	SDCM<3
Wattage	20Watt/Meter
Voltage	24V DC Parallel Connection
IK Impact	IK10
Weight	
Accessories	Brackets Included
Other Accessories	Cable & Driver not included

Perfil Plus 20 RGBW

Driver Accessories



Male Connector M8 4 x 0.35 mm

Code
L-CB101 L= 300
L-CB102 L= 1000
L-CB103 L= 5000



Male & Female extension Connector M8 4 x 0.35 mm

Code
L-CB107 L= 3000
L-CB108 L= 5000



Female Connector M8 4 x 0.35 mm

Code
L-CB104 L= 300
L-CB105 L= 1000
L-CB106 L= 5000

Driver Accessories



Code DMX001
Constant Voltage DMX IP10
Input Voltage DC 24V
4 x 5A channel
4 x 120W channel



Code D016
IP20 150Watt
Input Voltage 85 - 264VAC
Output Voltage 24 Volt
Output Current 6.5 A



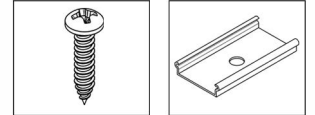
Code D007
IP67 240Watt
Input Voltage 100 - 305VAC
Output Voltage 24 Volt
Output Current 10 A



Code D004
IP67 150Watt
Input Voltage 100 - 305VAC
Output Voltage 24 Volt
Output Current 6.25 A



TOOLS REQUIRED

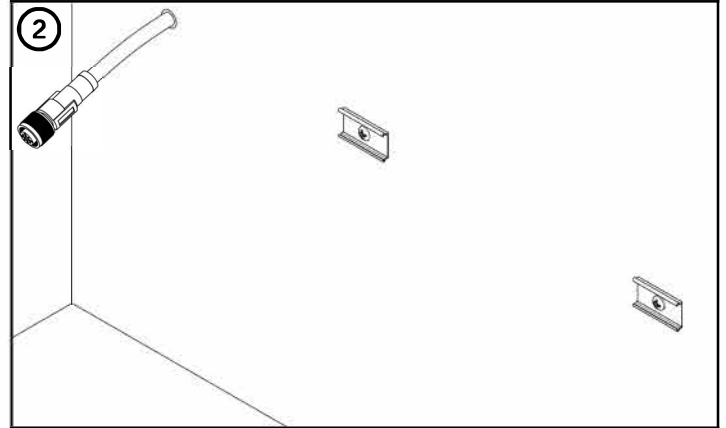
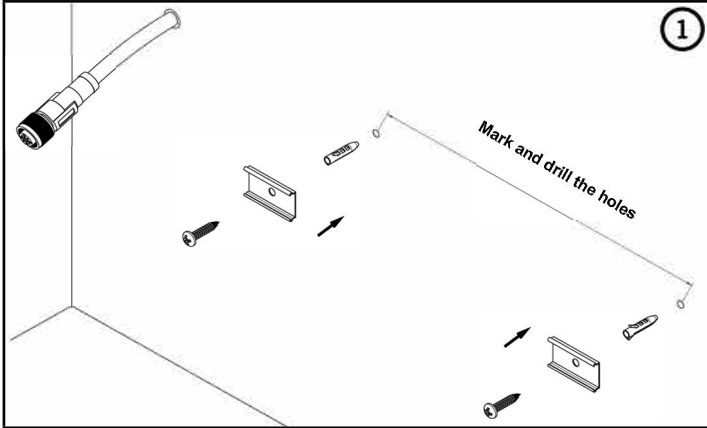


ACCESSORIES REQUIRED

⚠ Before starting, switch OFF power line / power supply (OFF) | Installation should be done only by trained technical team

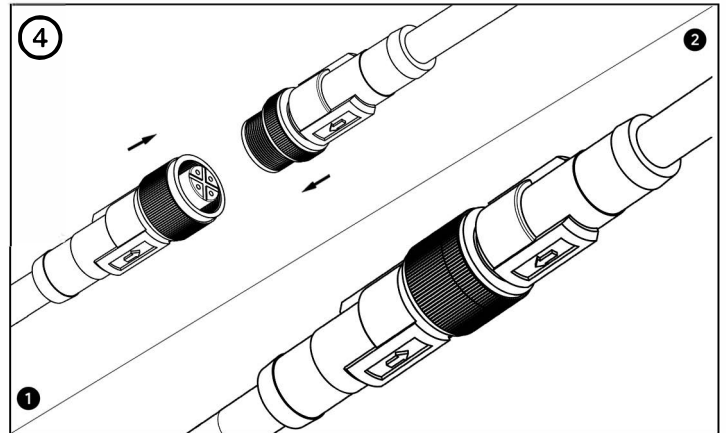
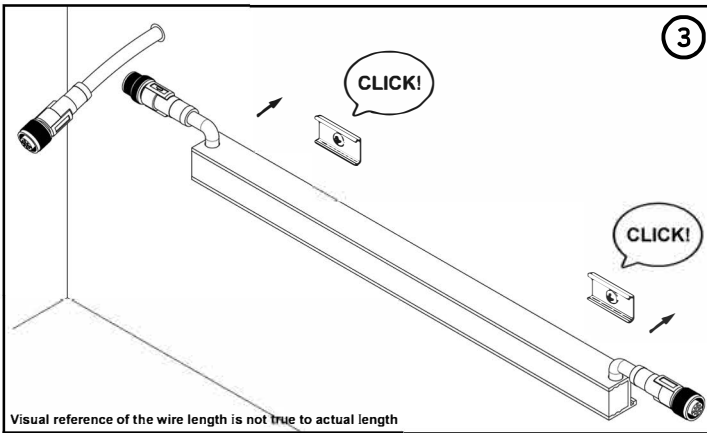
Make sure that the brackets are in line and at the correct distance.

Fix it to the wall with appropriate fisher and screw.

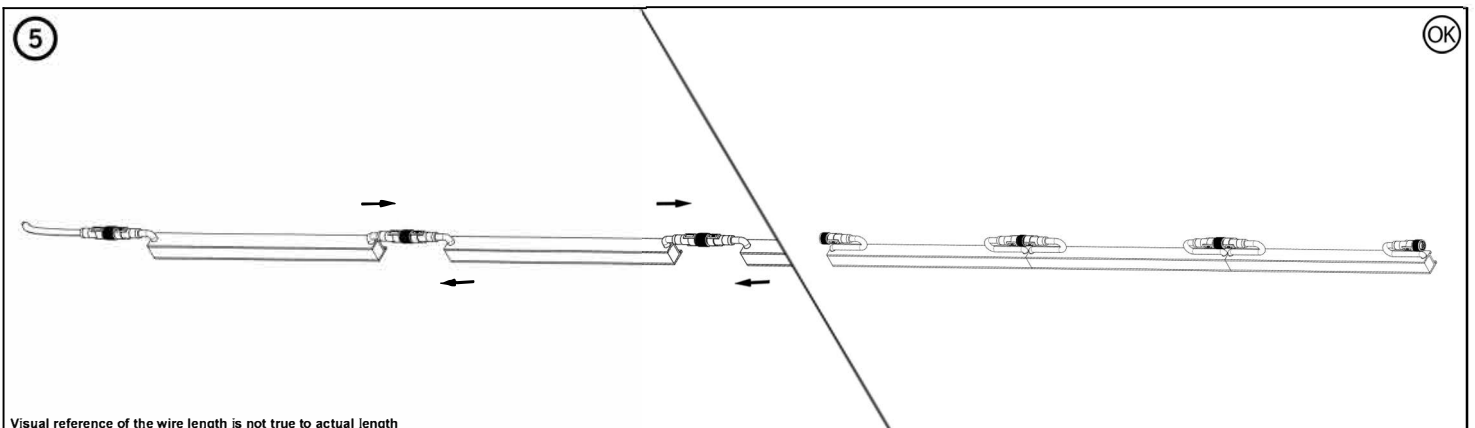


Install the Profile into the bracket by hold the the profile parallel to the two brackets a press untill it clicks into the bracket. make sure that its well installed and there is no play.

Connect all the Cables properly.

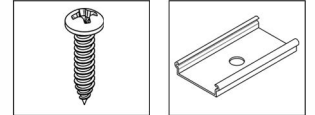


Arrange the Profile as per the requirement. Recheck the connections and confirms that it is connected properly. When the installation is complete, Switch On the Power supply (ON)





TOOLS REQUIRED

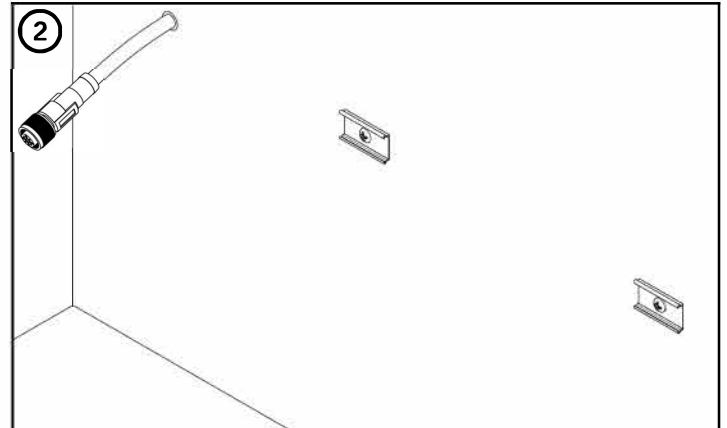
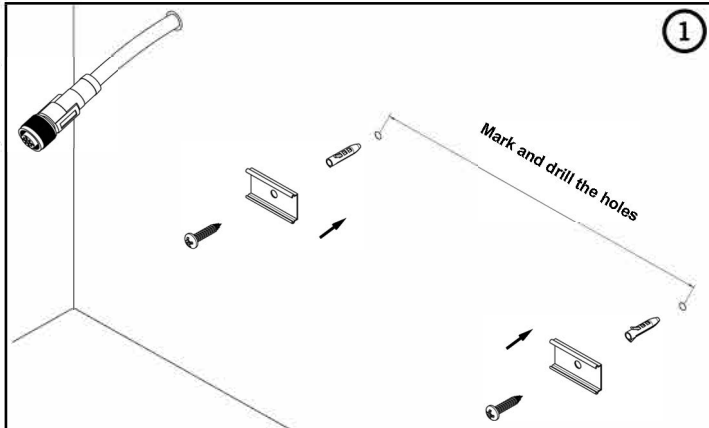


ACCESSORIES REQUIRED

ⓘ Before starting, switch OFF power line / power supply (OFF) | Installation should be done only by trained technical team

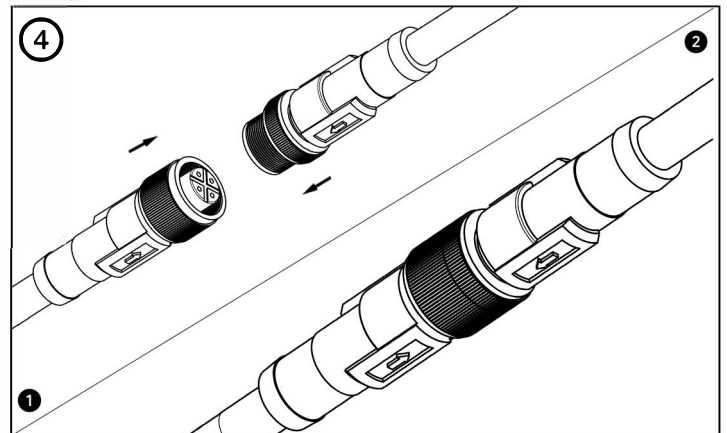
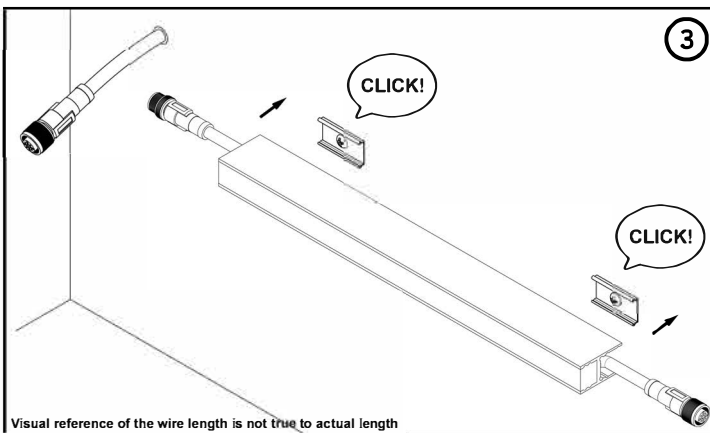
Make sure that the brackets are in line and at the correct distance.

Fix it to the wall with appropriate fisher and screw.

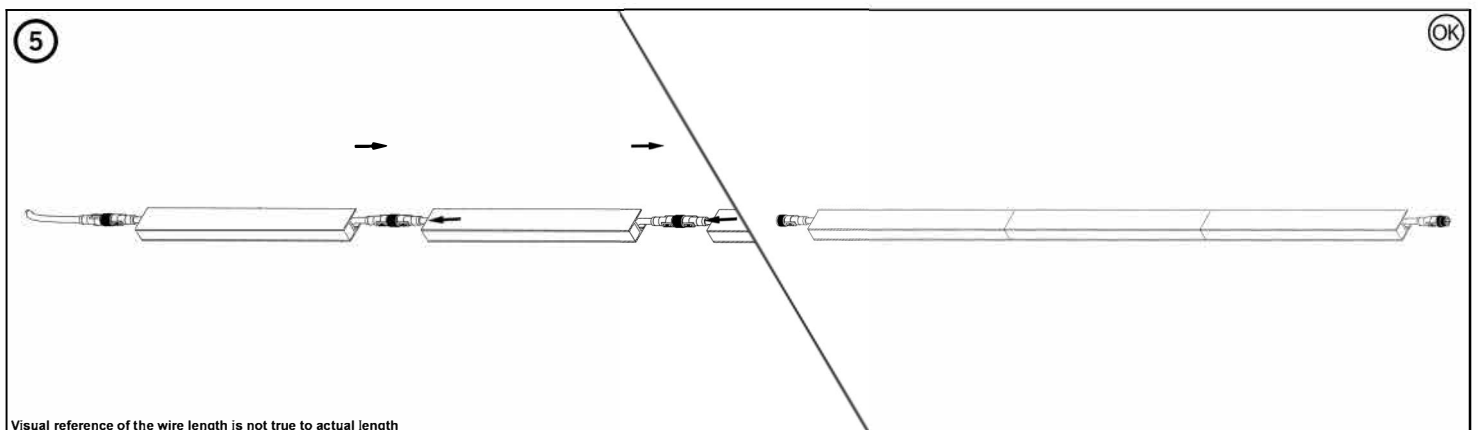


Install the Profile into the bracket by hold the the profile parallel to the two brackets a press untill it clicks into the bracket. make sure that its well installed and there is no play.

Connect all the Cables properly.




Arrange the Profile as per the requirement. Recheck the connections and confirms that it is connected properly. When the installation is complete, Switch On the Power supply (ON)

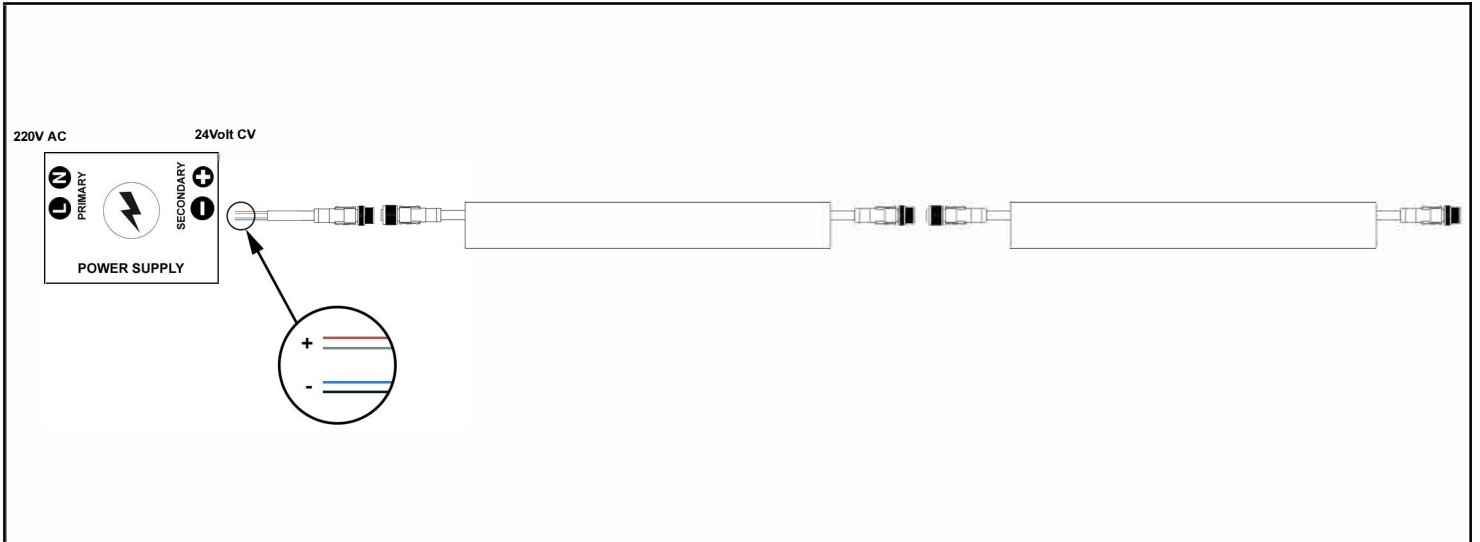




TOOLS REQUIRED

ⓘ Installation guide for Driver connection | Installation should be done only by trained technical team | Power Off 

MONO-COLOUR DRIVER CONNECTION



RGBW DRIVER CONNECTION

