

Perfil 30



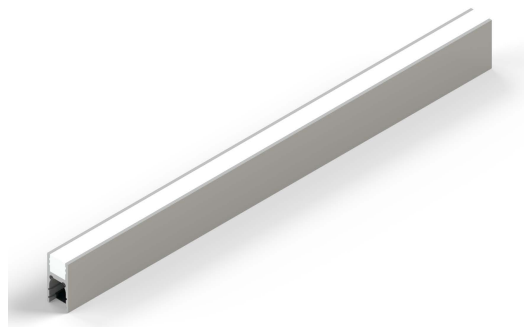
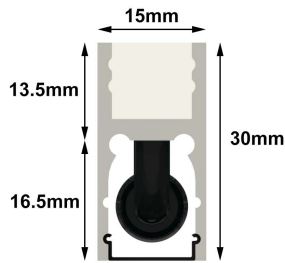
Professional architectural linear light system surface mounted, made of extruded aluminum adapt for for outdoor & Indoor applications, encapsulation polyurethane offering ultimate water proof, UV resistance, available in 5 different length, anodized aluminum finish. Included with cable M8 Male & Female, cable length 150mm for easy connection loop.

LED mono color, difused light effect, with LED type 2835 rigid circuit, high performance with CRI>90 with 24Volt Constant Voltage and integrated ICs, 25Watt/Meter with SDCM>3 (One Bin Only), lumen and available CCT as reported below.

Impact IK10 and protetcion IP67, with operating abient temperature from -25°C to 50°C.
Feasibility to connect On/Off, Phase-Cut, Dali, 1-10V & Dmx Driver.

Produced in Italy.

Image & Drawing



Product Final Code

CCT	1 ft / 305mm	2 ft / 610mm	3 ft / 915mm	4 ft / 1220mm	5 ft / 1525mm
1800K	L-PB.7W.90.18K	L-PB.14W.90.18K	L-PB.21W.90.18K	L-PB.28W.90.18K	L-PB.35W.90.18K
2200K	L-PB.7W.90.22K	L-PB.14W.90.22K	L-PB.21W.90.22K	L-PB.28W.90.22K	L-PB.35W.90.22K
2700K	L-PB.7W.90.27K	L-PB.14W.90.27K	L-PB.21W.90.27K	L-PB.28W.90.27K	L-PB.35W.90.27K
3000K	L-PB.7W.90.30K	L-PB.14W.90.30K	L-PB.21W.90.30K	L-PB.28W.90.30K	L-PB.35W.90.30K
4000K	L-PB.7W.90.40K	L-PB.14W.90.40K	L-PB.21W.90.40K	L-PB.28W.90.40K	L-PB.35W.90.40K
5000K	L-PB.7W.90.50K	L-PB.14W.90.50K	L-PB.21W.90.50K	L-PB.28W.90.50K	L-PB.35W.90.50K

Lumen Output LED

Length	Wattage	<u>1800K</u>	<u>2200K</u>	<u>2700K</u>	<u>3000K</u>	<u>4000K</u>	<u>5000K</u>
1 ft / 305mm	7	709	724	773	836	895	926
2 ft / 610mm	14	1419	1448	1546	1671	1790	1852
3 ft / 915mm	21	2128	2172	2319	2507	2685	2779
4 ft / 1220mm	28	2838	2897	3093	3343	3580	3705
5 ft / 1525mm	35	3547	3621	3866	4178	4475	4631

Technical Data

Application	Surface Mounted
Finish	Aluminum Anodized 25µm
Dimension mm	15 x 30 x 305 - 610 - 915 - 1220 - 1525 & Custom
Fitting Life	53.000h L80 B20 (Ta ,25°C) - Reported TM-21 L70 Lifetime: >54000 hours
Operating Temp.	-20° C - +50° C

Specification Product

Light distribution	Diffused
CRI	>90
SDCM	SDCM>3
Wattage	25Watt/Meter
Voltage	24V DC - Parallel Connection
IK Impact	IK10
Weight	
Accessories	Brackets Included
Other Accessories	Cable & Driver not included

Driver Accessories



Male Connector M8 4 x 0.35 mm

Code
L-CB101 L= 300
L-CB102 L= 1000
L-CB103 L= 5000



Male & Female extension Connector
M8 4 x 0.35 mm

Code
L-CB107 L= 3000
L-CB108 L= 5000



Female Connector M8 4 x 0.35 mm

Code
L-CB104 L= 300
L-CB105 L= 1000
L-CB106 L= 5000

Cable Accessories & Drivers



Code D014
IP20 75Watt
Input Voltage 85 - 264VAC
Output Voltage 24 Volt
Output Current 3.2 A



Code D016
IP20 150Watt
Input Voltage 85 - 264VAC
Output Voltage 24 Volt
Output Current 6.5 A



Code D001
IP67 75Watt
Input Voltage 85 - 264VAC
Output Voltage 24 Volt
Output Current 3.15 A



Code D010
IP67 150Watt
Input Voltage 85 - 264VAC
Output Voltage 24 Volt
Output Current 6.25 A



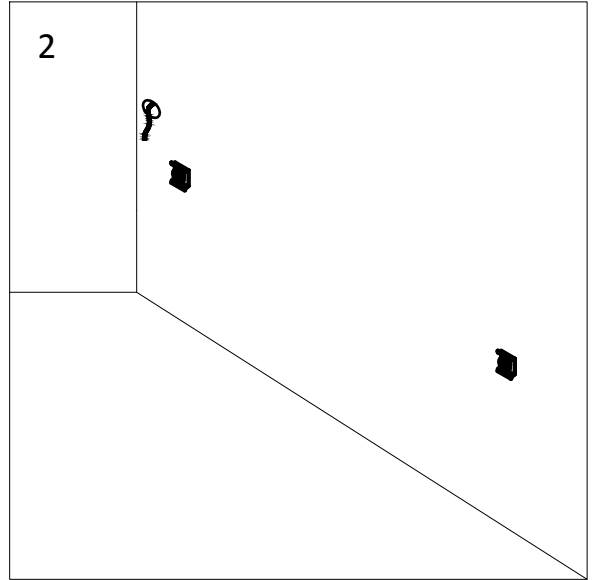
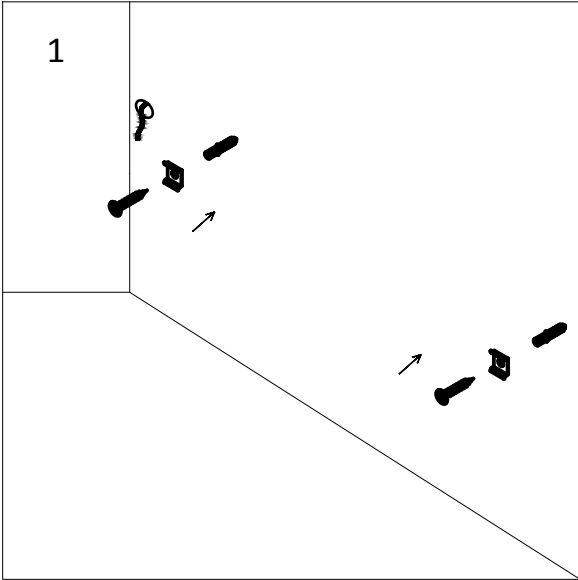
Most Important

Before starting, switch OFF power line / power supply.



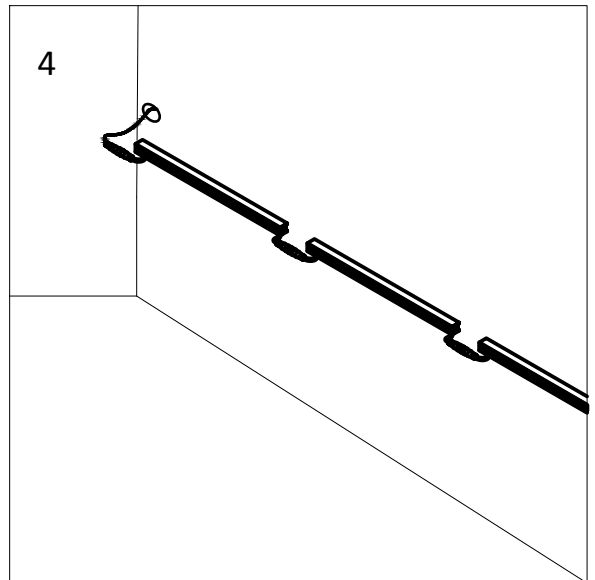
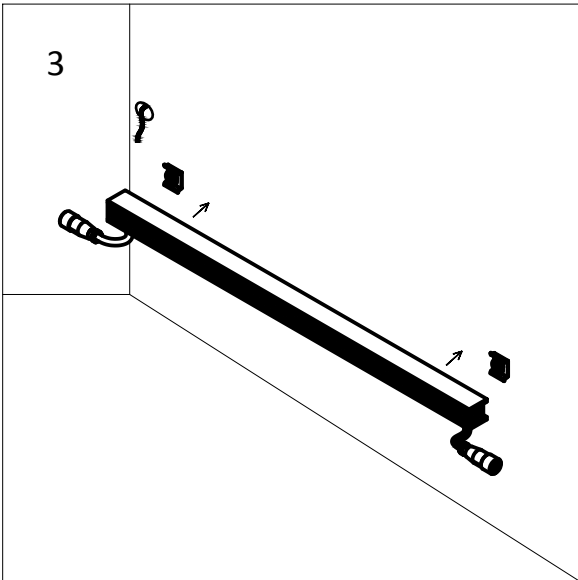
- Installation brackets, make sure the brackets are in line at the same distance.

- Installation brackets to the wall with appropriate fisher/screw.

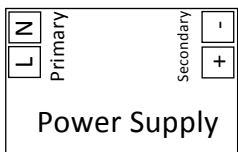


- Installation profile by inserting to the brackets, make sure it's well installed without any free movement.

- When installation completed, check all connection have been connected properly, then connect power supply ON.



220V AC



24Volt CV

