



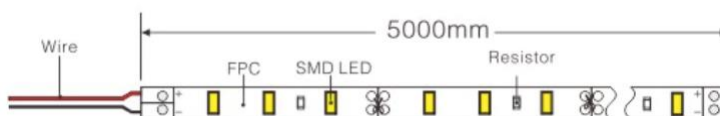
Strip IN 180 Mono



Premium Strip light made of Flexible printed circuit technology (FPC), 5 different CCT available, adapt for for Indoor applications. LED mono color, diffused light effect 120°, 180 LEDs/Meter with LEDs high performance with CRI 80+ & 90+, with SDCM<3 (One Bin Only), input voltage 24Volt CV, 14.4Watt/Meter lumen and available CCT as reported below. Included 3M adhesive backing and cable 150mm.

Protection IP20

Image & Drawing



Product Final Code

| CCT | CRI | W/mt | W/Reel | Lumen/Reel | Code |
|-------|-----|------|--------|------------|-----------------------|
| 2400K | >90 | 14.4 | 72 | 7560 | L-ST14.4W.90.IP20.24K |
| 2700K | >90 | 14.4 | 72 | 7848 | L-ST14.4W.90.IP20.27K |
| 3000K | >90 | 14.4 | 72 | 8352 | L-ST14.4W.90.IP20.30K |
| 4000K | >90 | 14.4 | 72 | 8784 | L-ST14.4W.90.IP20.40K |
| 5000K | >90 | 14.4 | 72 | 9000 | L-ST14.4W.90.IP20.50K |

Strip IN 180 Mono

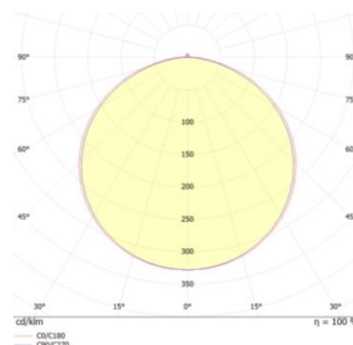
Technical Data

| | |
|-----------------|--|
| Application | Surface/Recessed mounted as per aluminum profile |
| Dimension mm | 10 x 2.2 x 5000 & Custom |
| Cutting | Every 33mm |
| Fitting Life | 50000 hours |
| Operating Temp. | -20°C - +45°C |

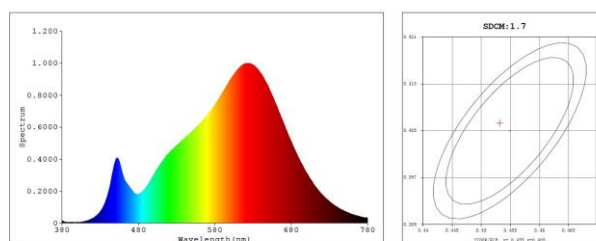
Specification Product

| | |
|--------------------|--|
| Light distribution | Diffused 120° |
| CRI | >80 and >90 |
| SDCM | SDCM<3 |
| Wattage | 14.4 W/m |
| Voltage | 24V DC - Parallel Connection Min 23 - Max 25 |
| Class | III |
| Weight | |
| Other Accessories | Aluminum & Drivers to be ordered separately |

Light Distribution



Spectrum Test Report



Driver Accessories



Code D014
 IP20 75Watt
 Input Voltage 85 - 264VAC
 Output Voltage 24 Volt
 Output Current 3.2 A



Code D016
 IP20 150Watt
 Input Voltage 85 - 264VAC
 Output Voltage 24 Volt
 Output Current 6.5 A



Code D001
 IP67 75Watt
 Input Voltage 85 - 264VAC
 Output Voltage 24 Volt
 Output Current 3.15 A



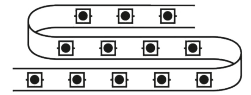
Code D004
 IP67 150Watt
 Input Voltage 85 - 264VAC
 Output Voltage 24 Volt
 Output Current 6.25 A



TOOLS REQUIRED

ⓘ Before starting, switch OFF Power Line / Power Supply (OFF) | Installation should be done only by Trained Technical Team

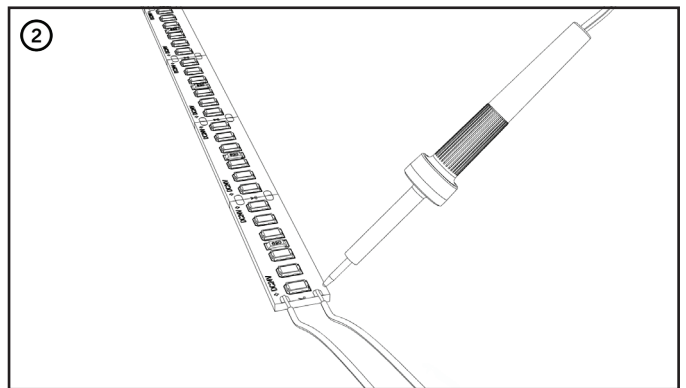
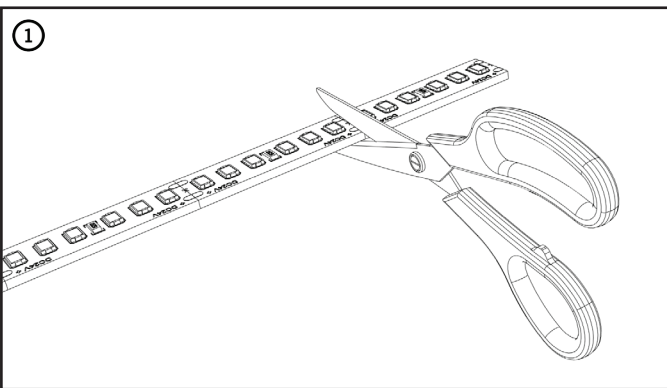
LED STRIP



CONNECTIONS

Using sharp scissors, cut the strip on the marked line as per the required length.

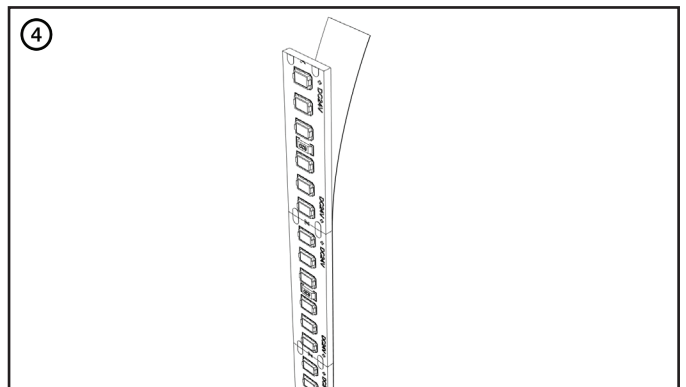
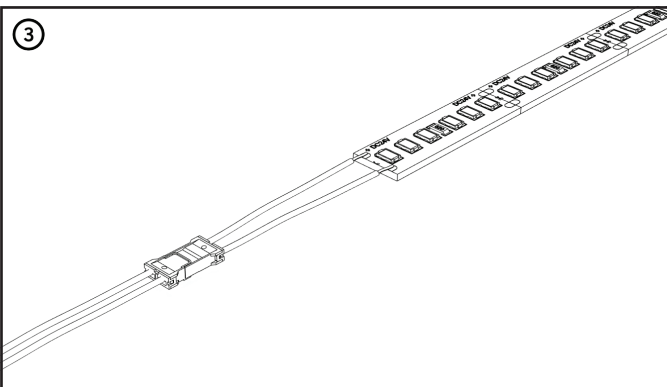
Solder the wires to the LED Strip. Ensure that the PCB is not overheated.



Connect the wires to available wire connector.

MOUNTING STRIP ON A SURFACE

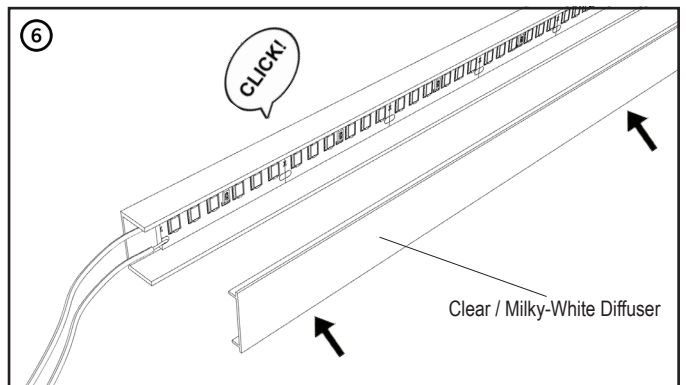
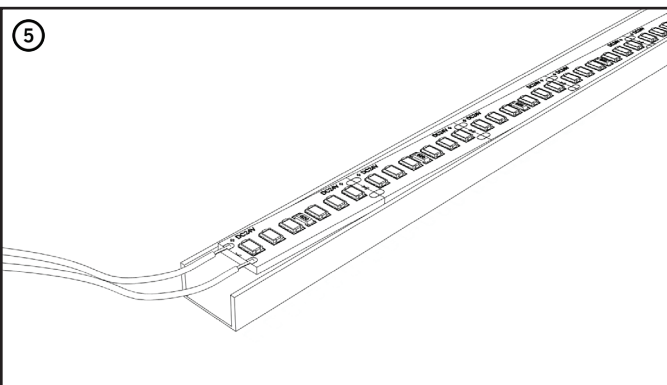
Remove the adhesive tape from the LED Strip.



Make sure that the mounting surface is clean. While placing the LED Strip on the surface do not press directly on the LEDs.

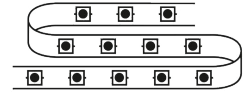
DIFFUSER MOUNTING

Mount the Diffuser by pushing it into the profile.



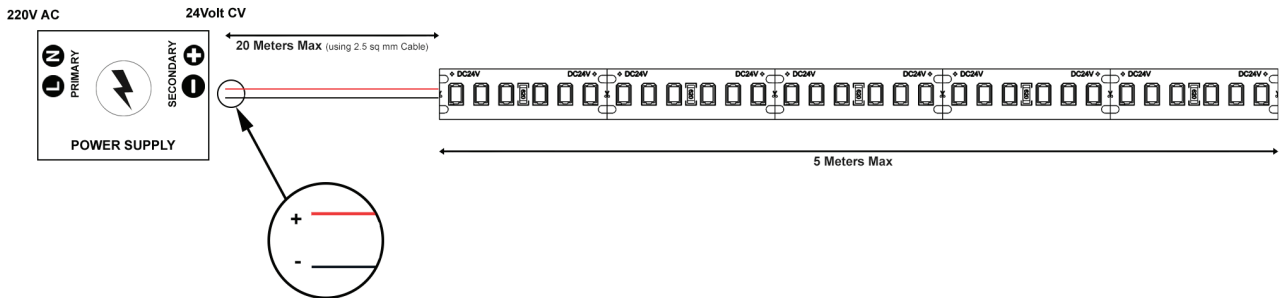
Recheck the connections and confirm that it is connected properly. Switch On the Power supply (ON)

LED STRIP - WIRING DIAGRAM

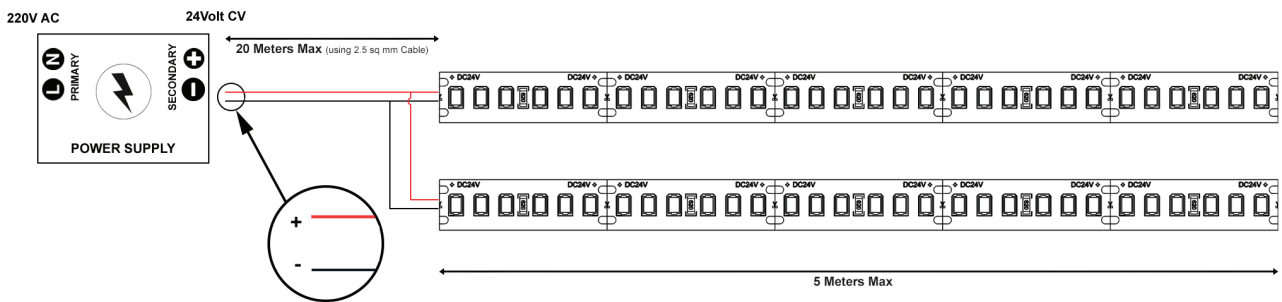


MONO-COLOUR DRIVER CONNECTION

SINGLE LED STRIP CONNECTED



MULTIPLE LED STRIP CONNECTED



RGBW DRIVER CONNECTION

