

ECO 10

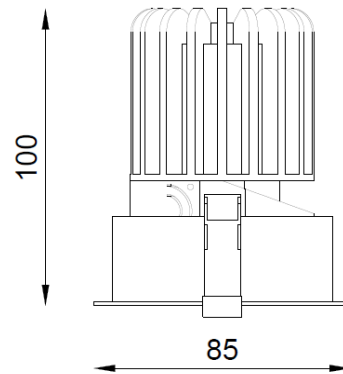


Professional architectural Downlight recessed ceiling-mounted adjustable, tilting by 25°, full LED engine rotation by 360°, made of aluminium adapt for Indoor applications, compact design offering ultimate LED technology, available frame white and black finish powder coating. Included with cable Male & Female, cable length 100mm for easy connection to the driver.

LED Power mono-colour, available optics 19° - 24° - 36° & 45° degrees, high performance with CRI>90 & CRI>97, SDCM 2 (One Bin Only), lumen and available CCT as reported below.

Protection IP44

Image & Drawing



Products Codes CRI90

White Finish			Black Finish		
LED 2700K	LED 3000K	LED 4000K	LED 2700K	LED 3000K	LED 4000K
ECO10.WH.27.S	ECO10.WH.30.S	ECO10.WH.40.S	ECO10.BK.27.S	ECO10.BK.30.S	ECO10.BK.40.S
ECO10.WH.27.M	ECO10.WH.30.M	ECO10.WH.40.M	ECO10.BK.27.M	ECO10.BK.30.M	ECO10.BK.40.M
ECO10.WH.27.MF	ECO10.WH.30.MF	ECO10.WH.40.MF	ECO10.BK.27.MF	ECO10.BK.30.MF	ECO10.BK.40.MF
ECO10.WH.27.F	ECO10.WH.30.F	ECO10.WH.40.F	ECO10.BK.27.F	ECO10.BK.30.F	ECO10.BK.40.F

Products Codes CRI97

White Finish			Black Finish		
LED 2700K	LED 3000K	LED 4000K	LED 2700K	LED 3000K	LED 4000K
ECO10P.WH.27.S	ECO10P.WH.30.S	ECO10P.WH.40.S	ECO10P.BK.27.S	ECO10P.BK.30.S	ECO10P.BK.40.S
ECO10P.WH.27.M	ECO10P.WH.30.M	ECO10P.WH.40.M	ECO10P.BK.27.M	ECO10P.BK.30.M	ECO10P.BK.40.M
ECO10P.WH.27.MF	ECO10P.WH.30.MF	ECO10P.WH.40.MF	ECO10P.BK.27.MF	ECO10P.BK.30.MF	ECO10P.BK.40.MF
ECO10P.WH.27.F	ECO10P.WH.30.F	ECO10P.WH.40.F	ECO10P.BK.27.F	ECO10P.BK.30.F	ECO10P.BK.40.F

ECO 10

Technical Data

Application	Recessed
Finish	Powder painting
Dimension mm	D85mm * H100
Cut - Hole	75 mm
Fitting Life	80.000h L80 B20 (Ta ,25°C) - Reported TM-21 L70 Lifetime: >80000 hours

Specification Product

Light distribution	19° - 24° - 36° - 45°
CRI	≥90 & ≥97
SDCM	SDCM 2
Wattage	10Watt
Voltage	36 Volt
Weight	300 g
Springs	Included

Lumen Data

CCT	CRI	SDCM	Flux Lumen	Delivered Lumen
2700K	90	2	1341	1180
3000K	90	2	1428	1257
4000K	90	2	1544	1359
2700K	97	2	1186	1044
3000K	97	2	1248	1098
4000K	97	2	1329	1170

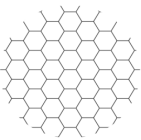
Light distribution

Beam Angle	Codes
19°	S
24°	M
36°	MF
45°	F

Accessories

Code

H-008



Drivers

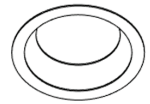
Driver type	On/off	Dali-2
Code	D029	D031
	Max 1	Max 1



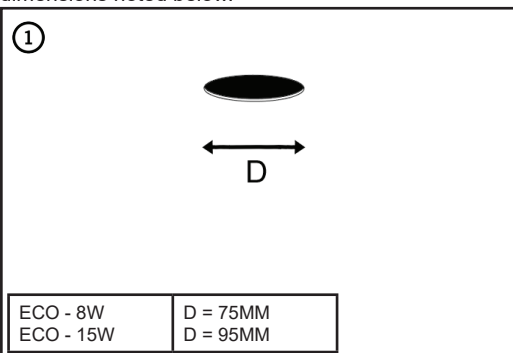
TOOLS REQUIRED

ⓘ Before starting, switch OFF Power Line / Power Supply | Installation should be done only by Trained Technical Team

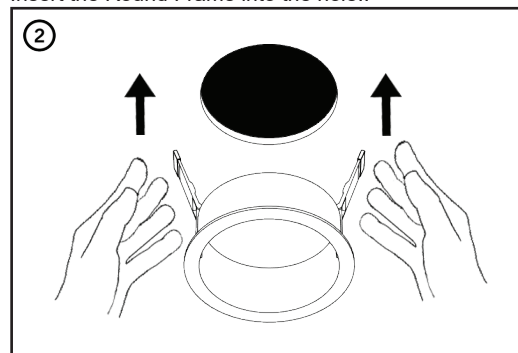
ECO Series - RECESSED (ECO - 8W, ECO - 15W)



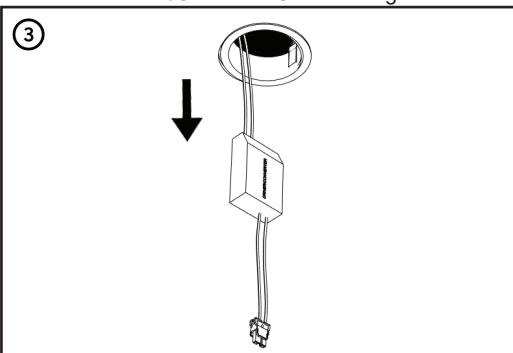
Drill the hole for the Recessed Downlight as per the dimensions noted below.



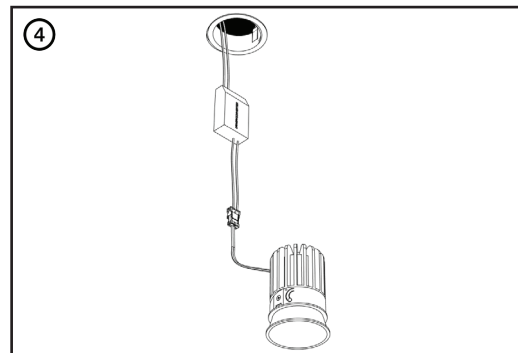
Insert the Round Frame into the hole..



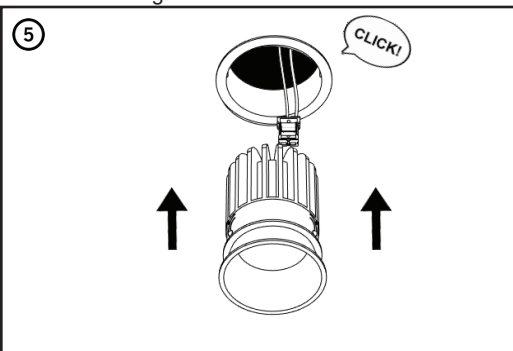
Pull out the Driver/Converter Cable through the hole.



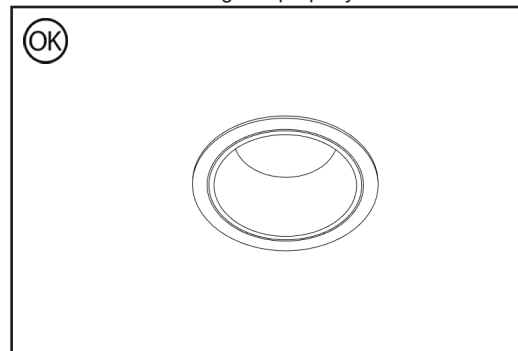
Connect the Converter/Driver to Downlight by connecting the Male-Female wire Connectors.



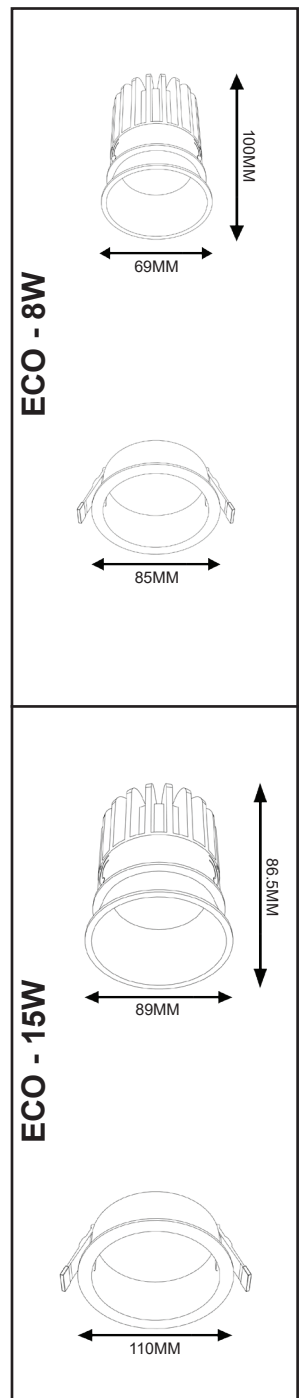
Push the Downlight into the hole.



Ensure that the downlight is properly fixed.



Recheck the connections and confirm that it is connected properly. **Switch On the Power supply**

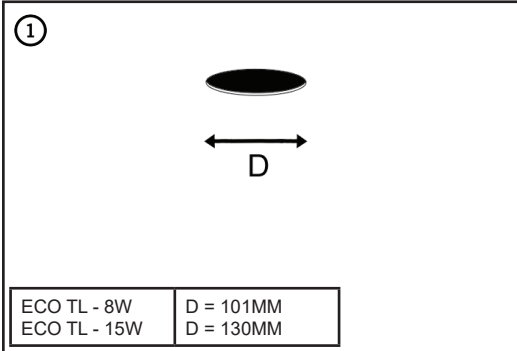


ECO TL Series - TRIMLESS

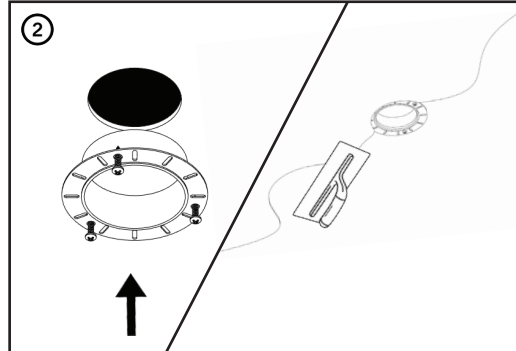
(ECO TL - 8W, ECO TL - 15W)



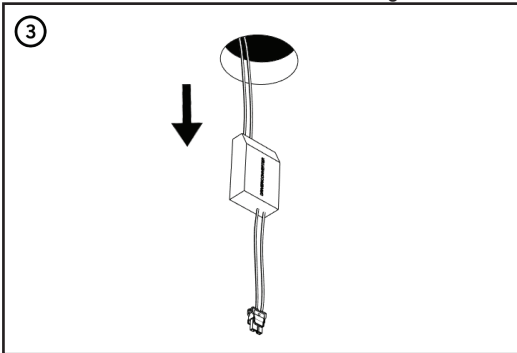
Drill the hole for the Trimless Downlight as per the dimensions noted below.



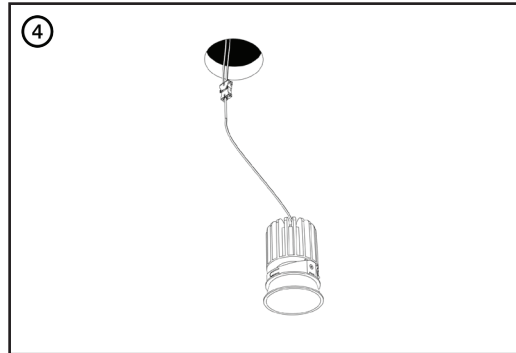
Fix the Round Trimless Frame to the hole by screwing into the ceiling.
Plaster-in and allow to fully dry.



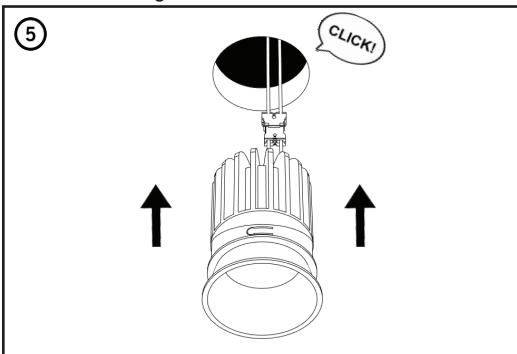
Pull out the Driver/Converter Cable through the hole.



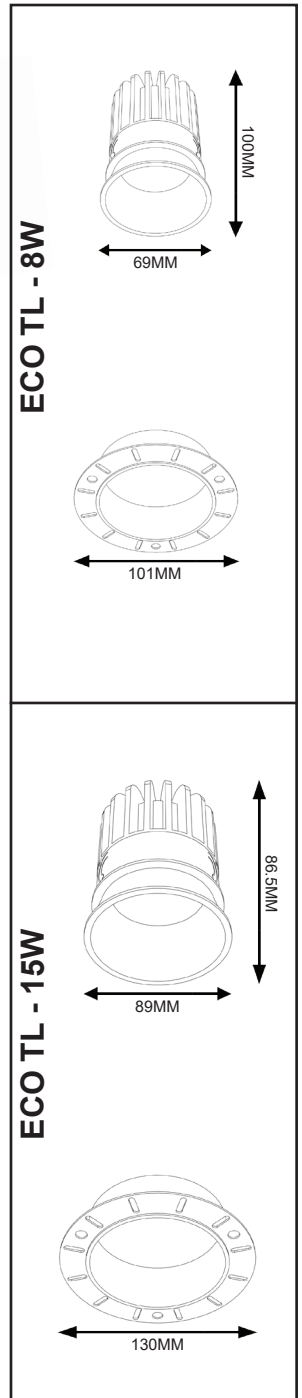
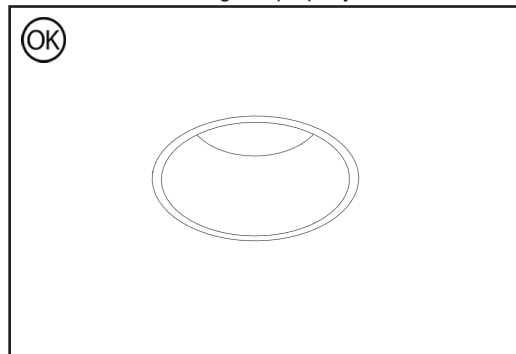
Connect the Converter/Driver to Downlight by connecting the Male-Female wire Connectors.



Push the Downlight into the hole.



Ensure that the downlight is properly fixed.



Recheck the connections and confirm that it is connected properly. **Switch On the Power supply**

WIRING DIAGRAM

