

HO1



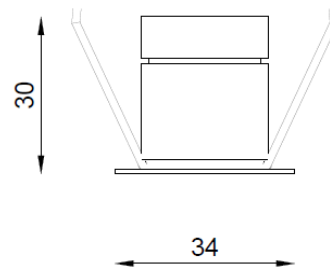
Professional architectural Downlight recessed ceiling-mounted, made of aluminium adapt for Indoor applications, small dimension compact design offering ultimate LED technology, available in white and black finish powder coating. Included with cable Male & Female, cable length 100mm for easy connection to the driver.

LED Power mono-colour, available optics, high performance with CRI>90 in Constant Current, SDCM<3 (One Bin Only), lumen and available CCT as reported below.

Protection IP44

Produced in Italy.

Image & Drawing



Products Codes

White Finish		
LED 2700K	LED 3000K	LED 4000K
HO1.WH.27.MS	HO1.WH.30.MS	HO1.WH.40.MS
HO1.WH.27.M	HO1.WH.30.M	HO1.WH.40.M
HO1.WH.27.MF	HO1.WH.30.MF	HO1.WH.40.MF
HO1.WH.27.F	HO1.WH.30.F	HO1.WH.40.F

Black Finish		
LED 2700K	LED 3000K	LED 4000K
HO1.BK.27.MS	HO1.BK.30.MS	HO1.BK.40.MS
HO1.BK.27.M	HO1.BK.30.M	HO1.BK.40.M
HO1.BK.27.MF	HO1.BK.30.MF	HO1.BK.40.MF
HO1.BK.27.F	HO1.BK.30.F	HO1.BK.40.F

Nickel Finish		
LED 2700K	LED 3000K	LED 4000K
HO1.NK.27.MS	HO1.NK.30.MS	HO1.NK.40.MS
HO1.NK.27.M	HO1.NK.30.M	HO1.NK.40.M
HO1.NK.27.MF	HO1.NK.30.MF	HO1.NK.40.MF
HO1.NK.27.F	HO1.NK.30.F	HO1.NK.40.F

Chrome Finish		
LED 2700K	LED 3000K	LED 4000K
HO1.CR.27.MS	HO1.CR.30.MS	HO1.CR.40.MS
HO1.CR.27.M	HO1.CR.30.M	HO1.CR.40.M
HO1.CR.27.MF	HO1.CR.30.MF	HO1.CR.40.MF
HO1.CR.27.F	HO1.CR.30.F	HO1.CR.40.F



HO1

Light distribution

Beam Angle	Codes
20°	MS
30°	M
45°	MF
60°	F

Lumen Data

CCT	CRI	SDCM	1 Watt / Flux	Delivered Lumen
2700K	90	≤3	117	99
3000K	90	≤3	117	99
4000K	90	≤3	124	105

Technical Data

Application	Recessed
Finish	Powder coating
Dimension mm	34 x 30 mm
Cut - Hole	26 mm
Fitting Life	80.000h L80 B20 (Ta ,25°C) -

Specification Product

Light distribution	20° - 30° - 45° - 60°
CRI	≥90
SDCM	SDCM≤3
Wattage	2Watt
Voltage	3 Volt
Weight	
Springs	Included

Accessories

Code

H-002



Drivers

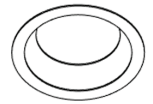
Driver type	On/Off	Dali	1-10V
Code	D034	D032	D033
	Min 1 - Max 8	Min 3 - Max 12	Min 3 - Max 12



TOOLS REQUIRED

ⓘ Before starting, switch OFF Power Line / Power Supply | Installation should be done only by Trained Technical Team

HO Series
(HO1, HO2, HO6, HO10, HO15)

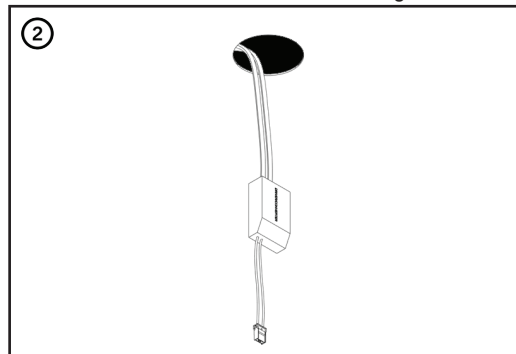


Drill the hole for the Recessed Downlight as per the dimensions noted below.

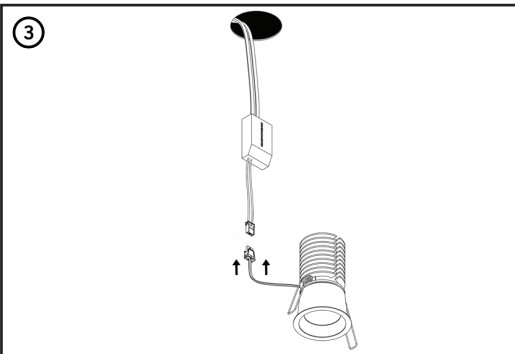
①

HO1	D = 26MM
HO2	D = 26MM
HO6	D = 34MM
HO10	D = 60MM
HO15	D = 75MM

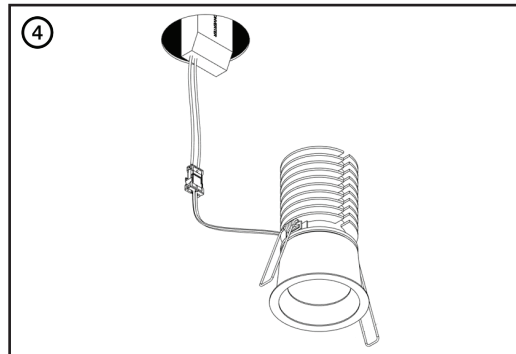
Pull out the Driver/Converter Cable through the hole.



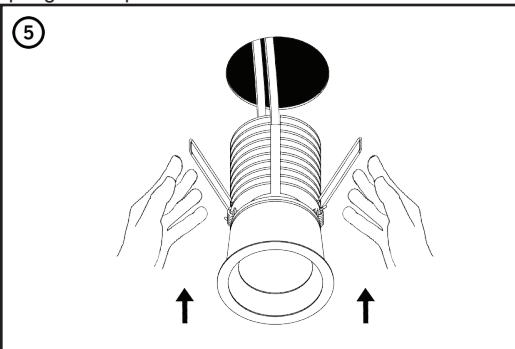
Connect the Converter/Driver to Downlight by connecting the Male-Female wire Connectors.



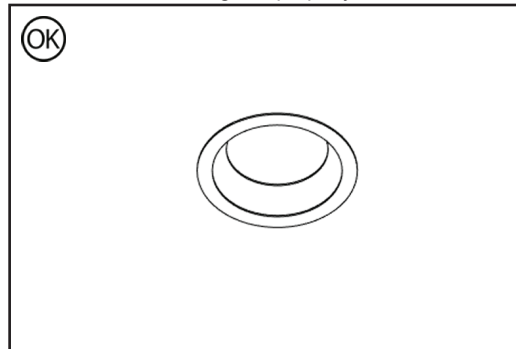
Place the Converter/Driver inside the ceiling through the hole.



Push the Downlight into the hole by pressing the springs as depicted.



Ensure that the downlight is properly fixed.



Recheck the connections and confirm that it is connected properly. **Switch On the Power supply**

HO1
30MM
34MM

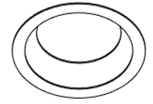
HO2
47MM
34MM

HO6
73MM
42MM

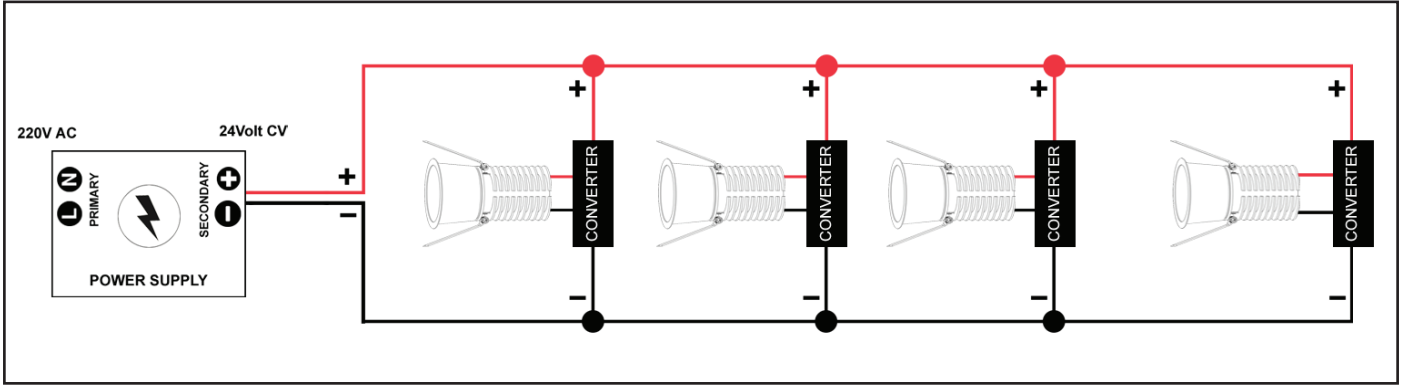
HO10
82MM
70MM

HO15
143MM
90MM

HO Series - WIRING DIAGRAM



FOR VERSIONS USING CONVERTER (Available on request)



FOR VERSIONS USING DRIVER

