

COMP 12

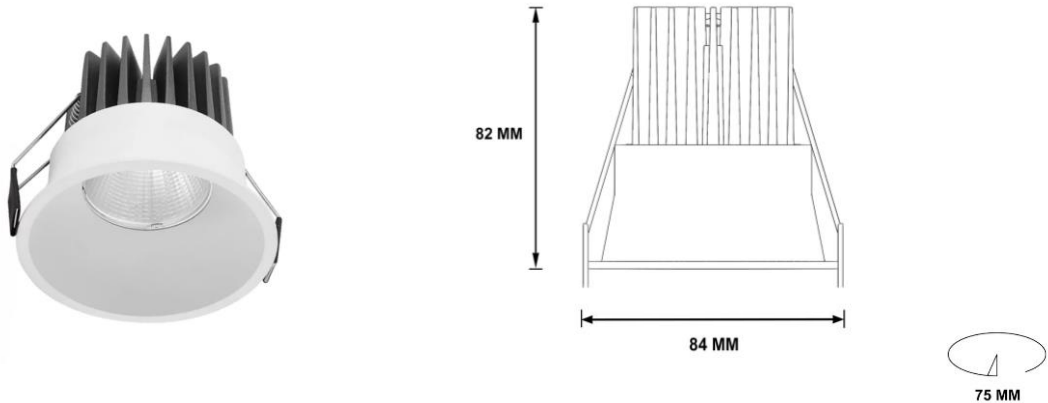


Professional architectural Downlight recessed ceiling-mounted Fix, full LED engine, made of aluminium adapt for Indoor applications, compact design offering ultimate LED technology, available frame white and black finish powder coating. Included with cable Male & Female, cable length 100mm for easy connection to the driver.

LED Power mono-colour, available optics 15° - 24° & 38° degrees, high performance with CRI>90, SDCM 2 (One Bin Only), lumen and available CCT as reported below.

Protection IP44

Image & Drawing



Products Codes CRI90

White Finish			Black Finish		
LED 2700K	LED 3000K	LED 4000K	LED 2700K	LED 3000K	LED 4000K
COMP12.WH.27.S	COMP12.WH.30.S	COMP12.WH.40.S	COMP12.BK.27.S	COMP12.BK.30.S	COMP12.BK.40.S
COMP12.WH.27.M	COMP12.WH.30.M	COMP12.WH.40.M	COMP12.BK.27.M	COMP12.BK.30.M	COMP12.BK.40.M
COMP12.WH.27.MF	COMP12.WH.30.MF	COMP12.WH.40.MF	COMP12.BK.27.MF	COMP12.BK.30.MF	COMP12.BK.40.MF

COMP 12

Technical Data

Application	Recessed
Finish	Powder painting
Dimension mm	D84mm * H82
Cut - Hole	75 mm
Fitting Life	80.000h L80 B20 (Ta ,25°C) · Reported TM-21 L70 Lifetime: >80000 hours

Lumen Data

CCT	CRI	SDCM	Flux Lumen	Delivered Lumen
2700K	90	2	1419	1277
3000K	90	2	1473	1326
4000K	90	2	1499	1349

Specification Product

Light distribution	15° - 24° - 38°
CRI	≥90
SDCM	SDCM 2
Wattage	12 Watt
Voltage	35 Volt
Weight	
Springs	Included

Light distribution

Beam Angle	Codes
15°	S
24°	M
38°	F

Accessories

Drivers

Driver type	On/off	Dali-2
Code	D060	D031
	Max 1	Max 1

